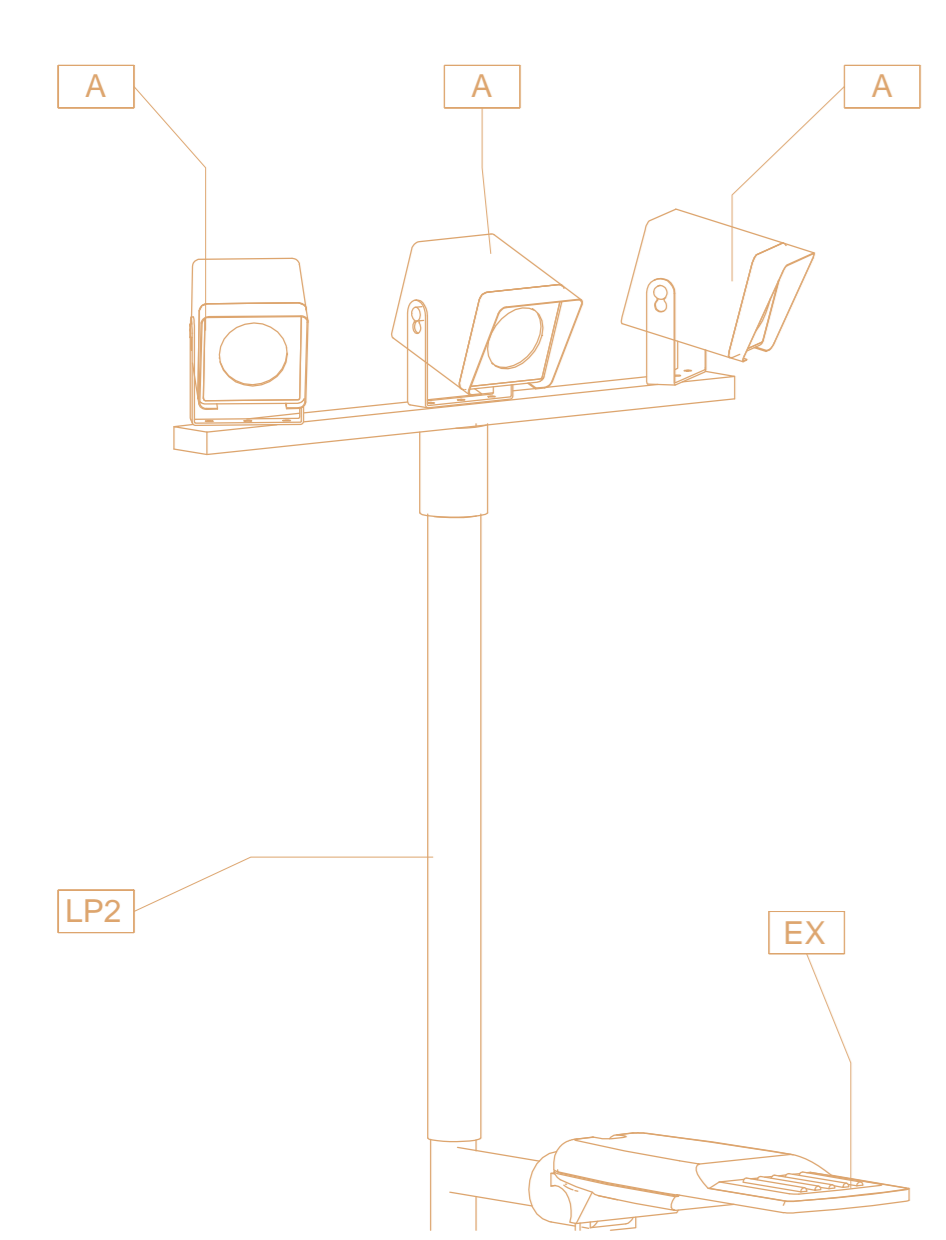
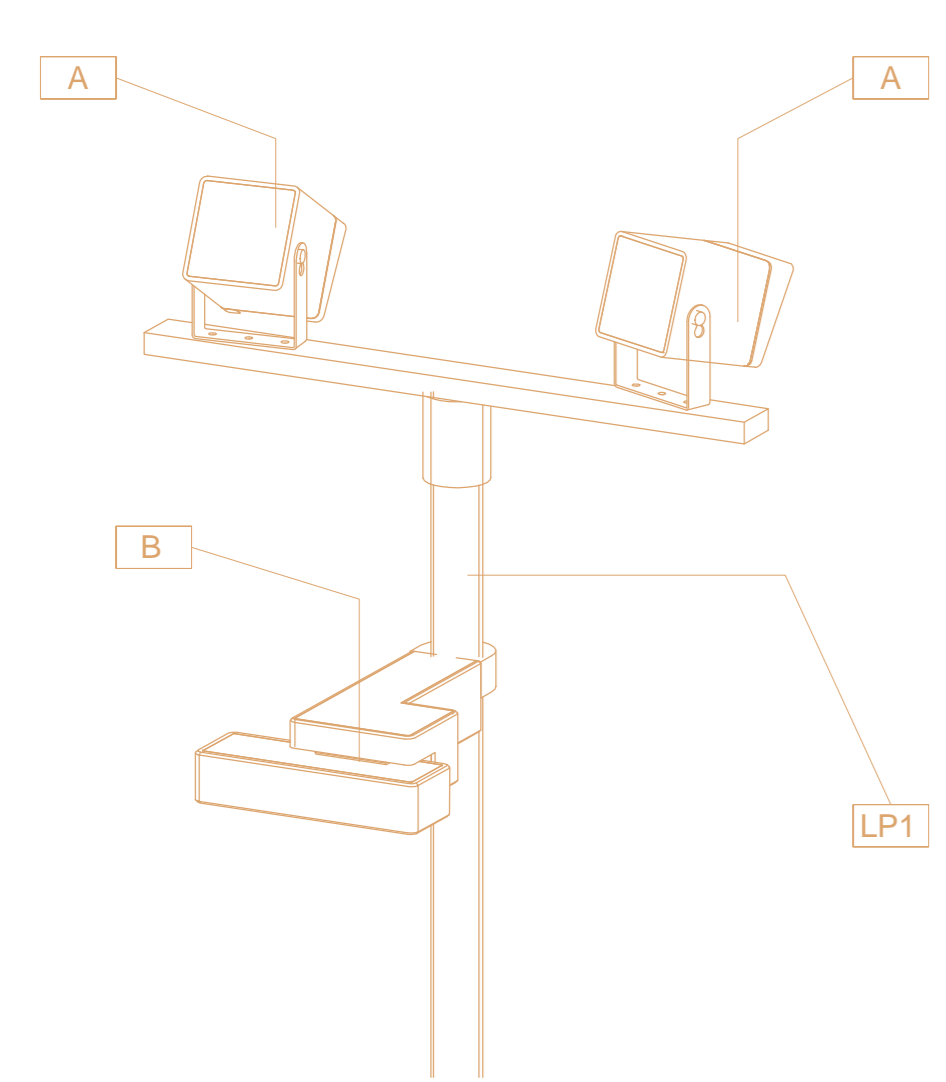


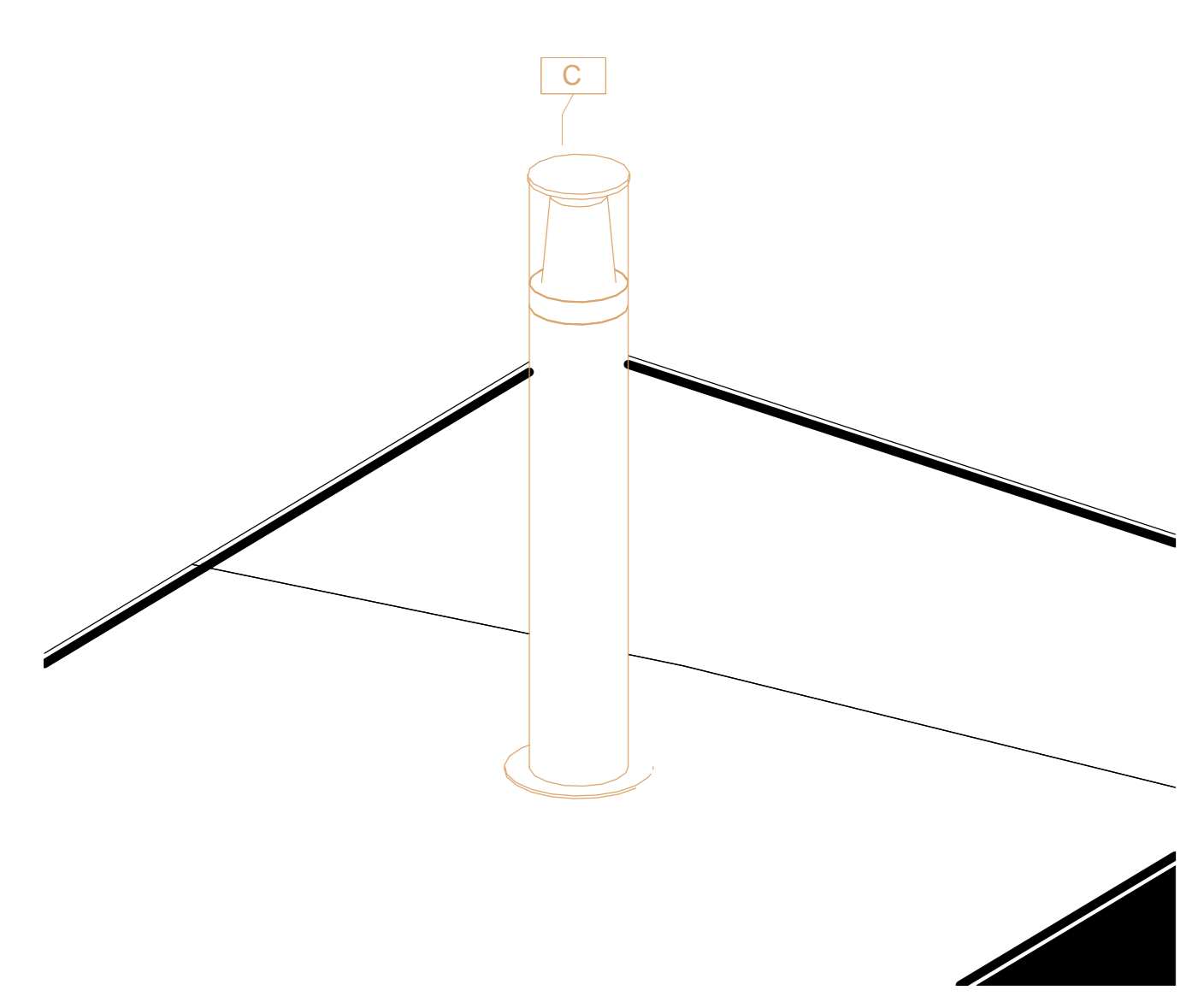
2 P1 Post Group



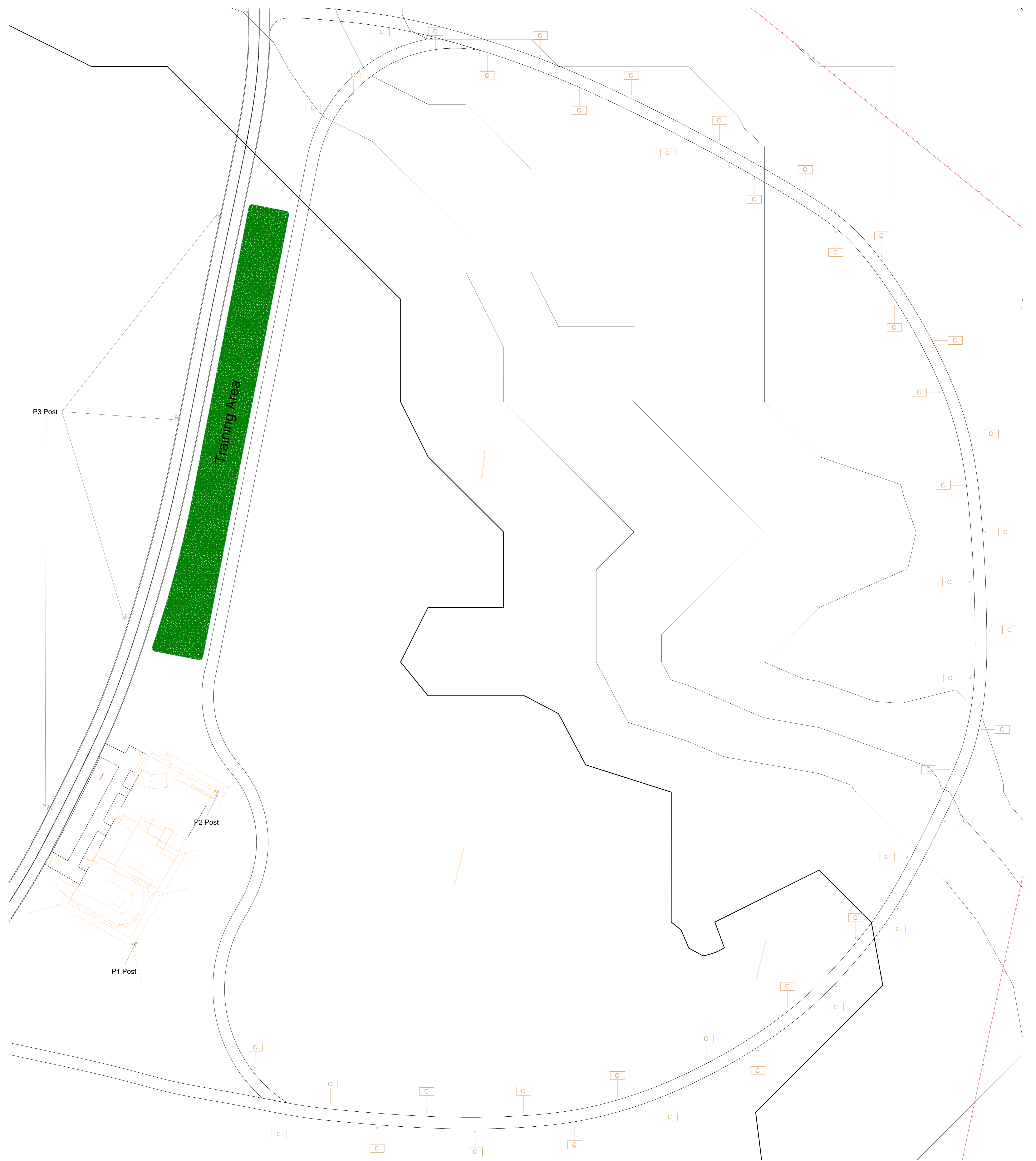
3 P3 Post Group



4 P2 Post Group



5 B1 Bollard



1 Bollards
1 : 250

Please see luminaire schedule for more info

| | | | |
|------|-------------|-----|------|
| DATE | PREPARED BY | CHK | DATE |
| | | | |
| | | | |
| | | | |

Lybtech Ltd
153 Skipton Road,
Harrogate,
North Yorkshire
HG1 4JL

Easingwold District Council

PROJECT: Millfield, jogging track & skate park
TITLE: Bollard Scheme Lighting Layout

| | | | |
|------------------|------------------|--------------------|------------------|
| SCALE: 1 : 250 | DATE: 10/01/2025 | DESIGNER: S.Ripley | CHECKED: M.Bryon |
| PROJECT NO: 3952 | ISSUE NO: A101 | | |
| | | | |